

MIXO ONE CXA - MXA

inserts MIXO

		page:
CX 01 G	1 module	264
CX 02 7	1 module	266
CX 02 4	1 module	267
CX 02 4A, CX 02 4B	1 module	268
CX 03 4	1 module	269
CX 03 4B	1 module	270
CX 3/4 XD	1 module	271
CX 04 X	1 module	272
CX 05 S	1 module	-
CX 05 SH	1 module	274
CX 06 C, CX 06P C	1 module	275, 276
CX 08 C	1 module	277
CX 02 CH *)	1 module	279
CX 12 D, CX 17 D	1 module	281, 282
CX 25 IB	1 module	284
CX 25 I	1 module	-
CX 08 I6	1 module	286
CX 01 9V, CX 01 9VT	1 module	296, 298
CX 04 L	1 module	299
CX 04 R	1 module	300
CX 04 SC	1 module	301
CX 01 J8, CX 01 J8I	1 module	302
CX 03 P, CX 02 P	1 module	312

*) can be used only with CXA 01 I and MXA 01 V32 enclosures

bulkhead mounting housing with single lever



hoods with 2 pegs



description	part No.	part No.	entry M
with lever	CXA 01 I		
with pegs, side entry (in 2 parts)		MXA 01 O25	25
with pegs, top entry (in 2 parts)		MXA 01 V25	25
with pegs, top entry (in 2 parts)		MXA 01 V32	32

PE terminal

On both the bulkhead mounting housing and on the hood front part, PE screw terminal without protection plate, zinc plated steel terminal screw with rounded tip.

Connecting capacity:
0,5 mm² (20 AWG) – 10 mm² (8 AWG) both unprepared and prepared stranded copper wire.

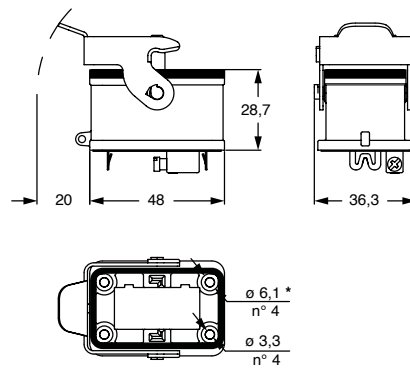
PE terminal screw head footprint:
for Ph1 or 1,0x5,5 mm flat screwdriver, recommended torque 1,2 Nm (10.6 lb.in)

NOTE:

Some regulations may require conductor preparation with a crimped end sleeve.

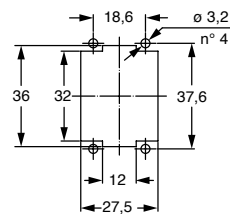
Recommended crimp shape: square, e.g. by using Rennsteig ferrule crimping pliers PEW 8.85 (610 1853).

CXA I

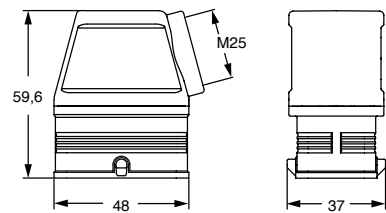


* for M3 fixing screws (not supplied) with maximum 6 mm head diameter

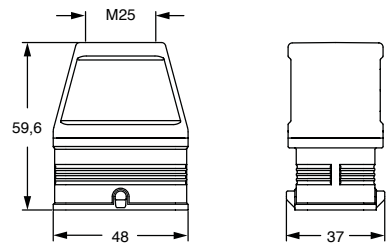
panel cut-out for bulkhead mounting housings



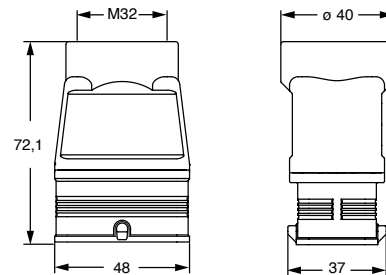
MXA O25



MXA V25



MXA V32



cURus
Type 4/4X/12 pending



according to IEC/EN 60529

plastic covers



plastic covers with lever and gasket



description

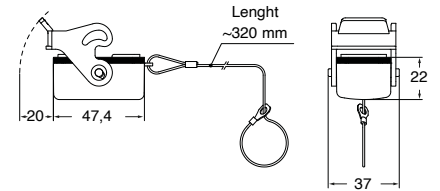
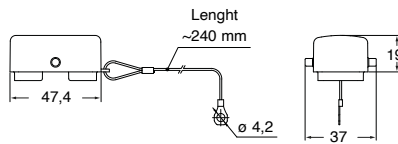
part No.
(with eyelet)

part No.
(with loop)

with 2 pegs (for enclosures with 1 lever with gasket)
with 1 lever and gasket (for hoods with 2 pegs)

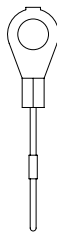
CXP 01 C

CXP 01 CLG



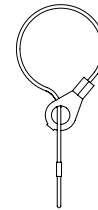
For fixing on housings

eyelet



For fixing on hoods

loop

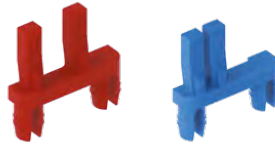


cURus
Type 4/4X/12 pending



according to IEC/EN 60529

coding pins



coding pins



description

part No.

part No.

red coding pin (#1)

CR CX01R

blue coding pin (#2)

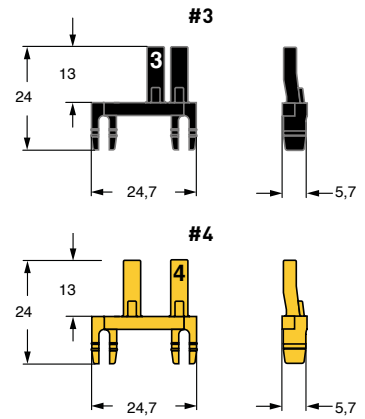
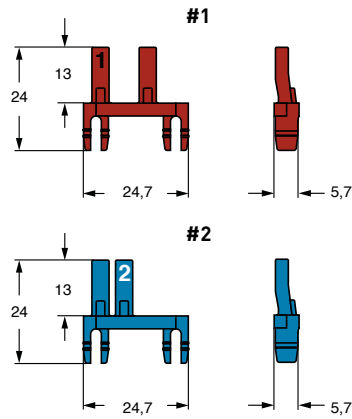
CR CX01B

yellow coding pin (#3)

CR CX01G

black coding pin (#4)

CR CX01N



CR CX01 CODING OPTIONS



Example of coding option 6 of 16 different codings possible (4 coding pins per each connector coupling)



MIXO ONE