

For inserts size "44.27", "57.27", "77.27", "104.27"

## COB panel supports for multipole connectors

inserts		page:
CD	40, 64 poles + ⊕	70, 72
CDD	24, 42, 72, 108 poles + ⊕	76 - 81
CDS	9, 18, 27, 42 poles + ⊕	-
CDSH	9, 18, 27, 42 poles + ⊕	86 - 89
CDSH NC	6 poles + ⊕	95
CNE	6, 10, 16, 24 poles + ⊕	110 - 113
CSE	6, 10, 16, 24 poles + ⊕	-
CSH	6, 10, 16, 24 poles + ⊕	110 - 113
CSH S	6, 10, 16, 24 poles + ⊕	122 - 125
CCE	6, 10, 16, 24 poles + ⊕	130 - 133
CME	3+2, 6+2, 10+2 (aux) poles + ⊕	136 - 140
CMSH	3+2, 6+2, 10+2 (aux) poles + ⊕	136 - 140
CMCE	3+2, 6+2, 10+2 (aux) poles + ⊕	137 - 141
CSS	6, 10, 16, 24 poles + ⊕	148 - 151
CQE	10, 18, 32, 46 poles + ⊕	168 - 171
CQEE	40, 64 poles + ⊕	176 - 177
CP	6 poles + ⊕	178
CX	8/24, 6/36, 12/2 poles + ⊕	194 - 199
CX	4/0, 4/2, 4/8, 6/6 poles + ⊕	200 - 206
MIXO	2, 3, 4, 6 modules	262 - 317

connector carrier for faceplate mounting in window, snap fastening



connector carrier baseplate for mounting on DIN EN 60715 rail or fixed mounting using screws



description

part No.

part No.

kit with 2 elements, for coupling of inserts with screw fixing centre distance (short side = 27 mm)

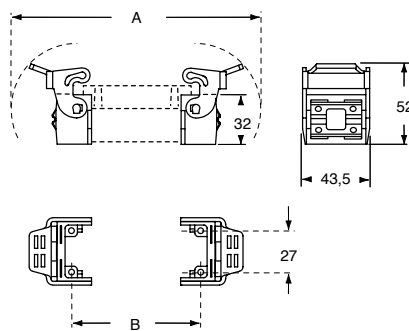
**COB TCQ**

kit comprising frame and mobile blocks, for insert coupling:  
with screw fixing centre distance of 44 x 27 mm  
with screw fixing centre distance of 57 x 27 mm  
with screw fixing centre distance of 77,5 x 27 mm  
with screw fixing centre distance of 104 x 27 mm

**COB 06 BC**  
**COB 10 BC**  
**COB 16 BC**  
**COB 24 BC**

It is the responsibility of the installer to verify the continuity of the PE protective earth circuit ⊕ between the two halves of the connector.

**COB TCQ**

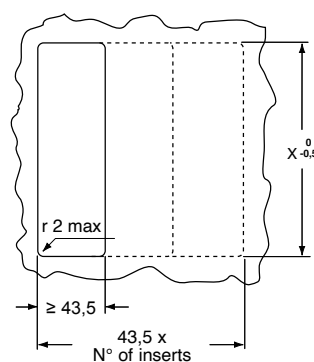


**COB TCQ**

for inserts	A	B
with centre distance 44 x 27 mm	120	44
with centre distance 57 x 27 mm	133	57
with centre distance 77,5 x 27 mm	153,5	77,5
with centre distance 104 x 27 mm	180	104

panel cut-out **COB TCQ**

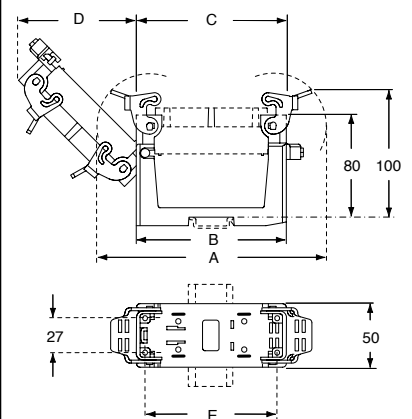
window size on plate thickness 1,3-3 mm



for insert coupling:	X <sup>0</sup> <sub>-0,5</sub>
with centre distance 44 x 27 mm	65
with centre distance 57 x 27 mm	78
with centre distance 77,5 x 27 mm	98
with centre distance 104 x 27 mm	125

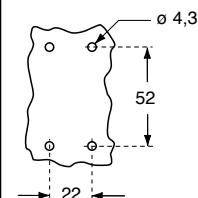
**COB BC**

overall dimensions with longitudinal DIN rails

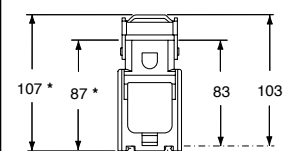


part No.	A	B	C	D	E
<b>COB 06 BC</b>	120	91,5	58	50	44
<b>COB 10 BC</b>	133	91,5	71	59,5	57
<b>COB 16 BC</b>	153,5	91,5	91,5	74	77,5
<b>COB 24 BC</b>	180	118	118	93	104

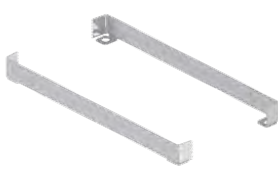
panel cut-out **COB BC**



overall dimensions without DIN rails (values with "asterisk") overall dimensions with transverse DIN rails



Optional PE earth jumpers (page 655)



**CAUS**

# COB panel supports for multipole connectors

inserts		page:
CD	40, 64 poles + ⊕	70, 72
CDD	24, 42, 72, 108 poles + ⊕	76 - 81
CDS	9, 18, 27, 42 poles + ⊕	-
CDSH	9, 18, 27, 42 poles + ⊕	86 - 89
CDSH NC	6 poles + ⊕	95
CNE	6, 10, 16, 24 poles + ⊕	110 - 113
CSE	6, 10, 16, 24 poles + ⊕	-
CSH	6, 10, 16, 24 poles + ⊕	110 - 113
CSH S	6, 10, 16, 24 poles + ⊕	122 - 125
CCE	6, 10, 16, 24 poles + ⊕	130 - 133
CME	3+2, 6+2, 10+2 (aux) poles + ⊕	136 - 140
CMSH	3+2, 6+2, 10+2 (aux) poles + ⊕	136 - 140
CMCE	3+2, 6+2, 10+2 (aux) poles + ⊕	137 - 141
CSS	6, 10, 16, 24 poles + ⊕	148 - 151
CQE	10, 18, 32, 46 poles + ⊕	168 - 171
CQEE	40, 64 poles + ⊕	176 - 177
CP	6 poles + ⊕	178
CX	8/24, 6/36, 12/2 poles + ⊕	194 - 199
CX	4/0, 4/2, 4/8, 6/6 poles + ⊕	200 - 206
MIXO	2, 3, 4, 6 modules	262 - 317

## insert carrier blocks for mobile mounting



## insert carrier insulated enclosures for mobile mounting



description

part No.

part No.

kit with 2 elements, for coupling of inserts  
with screw fixing centre distance (short side = 27 mm)  
with handle for cable support bands  
with handle for cable support or cable clamp bands

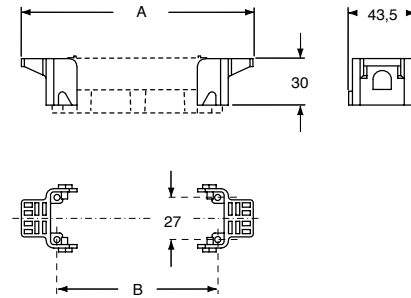
**COB TSF**  
**COB TSFS**

side entry, with cable clamp  
for insert coupling:  
with screw fixing centre distance of 44 x 27 mm  
with screw fixing centre distance of 57 x 27 mm  
with screw fixing centre distance of 77,5 x 27 mm  
with screw fixing centre distance of 104 x 27 mm

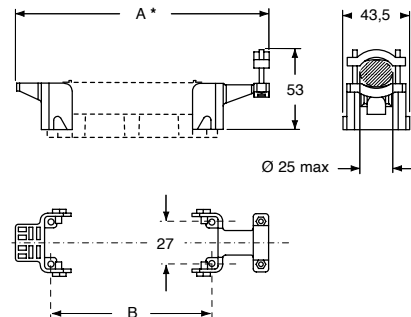
**COB 06 CMS**  
**COB 10 CMS**  
**COB 16 CMS**  
**COB 24 CMS**

It is the responsibility of the installer to verify the continuity of the PE protective earth circuit ⊕ between the two halves of the connector.

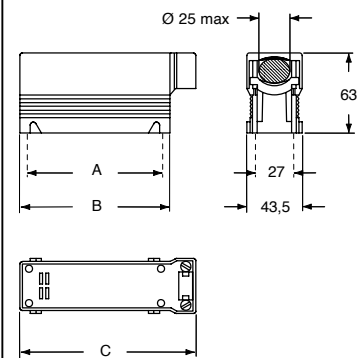
### COB TSF



### COB TSFS



### COB CMS



part No.	A	B	C
<b>COB 06 CMS</b>	44	58	74
<b>COB 10 CMS</b>	57	71	87
<b>COB 16 CMS</b>	77,5	91,5	107,5
<b>COB 24 CMS</b>	104	118	134

Optional  
PE  
earth jumpers  
(page 655)



for inserts	A	A*	B
with centre distance 44 x 27 mm	90	104	44
with centre distance 57 x 27 mm	103	117	57
with centre distance 77,5 x 27 mm	123,5	137,5	77,5
with centre distance 104 x 27 mm	150	164	104

For inserts size "49.16", "66.16"

## COB panel supports for multipole connectors

**inserts**

		page:
CD	15, 25 poles + ⊕	68 - 69
CDD	38 poles + ⊕	77
CSAH	10, 16 poles + ⊕	99 - 101
CDA	10, 16 poles + ⊕	98 - 100
CDC	10, 16 poles + ⊕	104 - 105
MIXO	1 module	264 - 316

**adapter plates for insert mounting**



**levers for coupling with metallic enclosures**



description

part No.

part No.

mounting on COB series articles (see below)  
for 1 insert with centre distance of 49,5 x 16 mm

CR 15/16

mounting on COB series articles (see below)  
for 1 insert with centre distance of 66 x 16 mm

CR 25/16

kit with 2 elements, to be mounted instead of the standard  
levers to be coupled with: COB TCQ and COB...BC <sup>1)</sup>

COB L

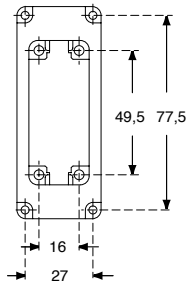
<sup>1)</sup> They allow the mounting of aluminium hoods with  
4 pegs, size 55.27, 77.27 and 104.27

**Adaptor plates**

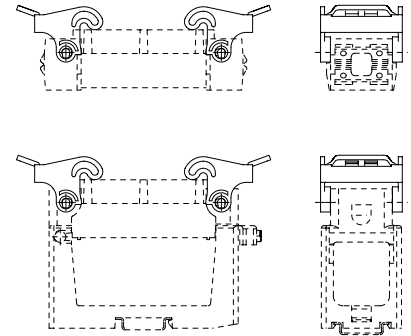
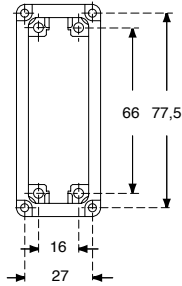
They allow the inserting of inserts of "49.16" and  
"66.16" on the following COB series articles:  
COB TCQ, COB 16 BC, COB TSF, COB TSFS,  
COB 16 CMS

It is the responsibility of the installer to verify the  
continuity of the PE protective earth circuit ⊕  
between the two halves of the connector.

**CR 15/16**



**CR 25/16**



COB



## CR..BPE PE earth jumpers

inserts		page:
CD	40, 64 poles + ⊕	70, 72
CDD	24, 42, 72, 108 poles + ⊕	76 - 81
CDS	9, 18, 27, 42 poles + ⊕	-
CDSH	9, 18, 27, 42 poles + ⊕	86 - 89
CDSH NC	6 poles + ⊕	95
CNE	6, 10, 16, 24 poles + ⊕	110 - 113
CSE	6, 10, 16, 24 poles + ⊕	-
CSH	6, 10, 16, 24 poles + ⊕	110 - 113
CSH S	6, 10, 16, 24 poles + ⊕	122 - 125
CCE	6, 10, 16, 24 poles + ⊕	130 - 133
CMSH	3+2, 6+2, 10+2 (aux) poles + ⊕	136 - 140
CMCE	3+2, 6+2, 10+2 (aux) poles + ⊕	137 - 141
CSS	6, 10, 16, 24 poles + ⊕	148 - 151
CT, CTSE	6, 10, 16, 24 poles + ⊕	160 - 163
CQE	10, 18, 32, 46 poles + ⊕	168 - 171
CQEE	40, 64 poles + ⊕	176 - 177
CP	6 poles + ⊕	178
CX	8/24, 6/36, 12/2 poles + ⊕	194 - 199

### PE optional earth jumpers



description

part No.

galvanized brass, to be optionally used with COB series:  
 for inserts "44.27" size  
 for inserts "57.27" size  
 for inserts "77.27" size  
 for inserts "104.27" size

**CR 06 BPE**  
**CR 10 BPE**  
**CR 16 BPE**  
**CR 24 BPE**

CR...BPE accessories PE (protective earth) jumpers could be mounted under the connector inserts for the connection of the two insert's PE plates.

To guarantee to proper alignment of the insert inside the enclosure, it is necessary to use both jumpers supplied (in the same housing or hood); the jumpers are not usable individually.

Furthermore the user is responsible for verifying the continuity of the PE connection ⊕ (male and female) independently of using CR...BPE earth jumpers.