

CQ insulating version

| inserts | | page: |
|---------|-----------------------|-------|
| CQ 04/2 | 4 poles + 2 poles + ⊕ | 191 |
| CQ 08 | 8 poles + ⊕ | 192 |
| CQ 17 | 17 poles + ⊕ | 193 |

bulkhead mounting housings with single lever

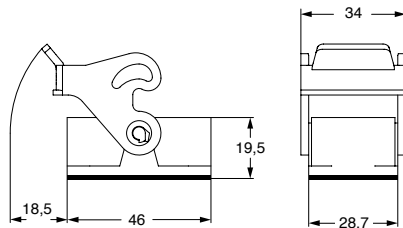


angled bulkhead mounting housings with single lever

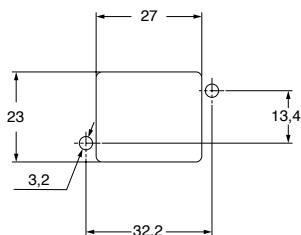


| description | part No. | part No. | entry Pg |
|---|----------|-----------|----------|
| with lever | CQ 08 I | | |
| without cable entry, angled, with lever | | CQ 08 IA | |
| with cable entry, angled, with lever | | CQ 08 IAP | 21 |

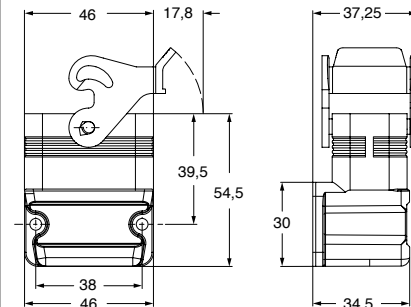
CQ I



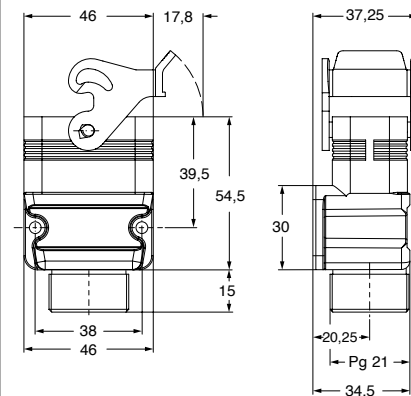
panel cut-out for CQ I enclosure



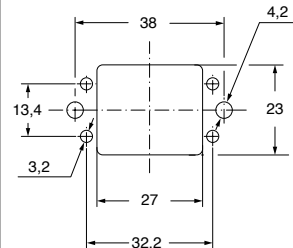
CQ IA



CQ IAP



panel cut-out for CQ IA - CQ IAP enclosure



CALUS Type 4/4X/12



CQ - MQ insulating version

inserts

| | | page: |
|---------|-----------------------|-------|
| CQ 04/2 | 4 poles + 2 poles + ⊕ | 191 |
| CQ 08 | 8 poles + ⊕ | 192 |
| CQ 17 | 17 poles + ⊕ | 193 |

hoods with 2 pegs



hoods with 2 pegs

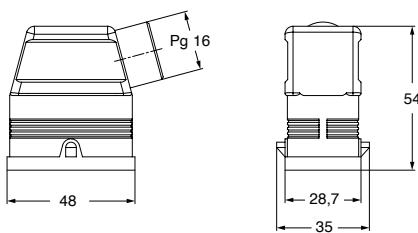


| description | part No. | entry Pg | part No. | entry M |
|---|-----------------|----------|--------------------|---------|
| with pegs, side entry ¹⁾ | CQ 08 VA | 16 | | |
| with pegs, top entry ¹⁾ | CQ 08 V | 21 | | |
| with pegs, side and top entry ²⁾ | | | MQ 08 VO225 | 25 x 2 |

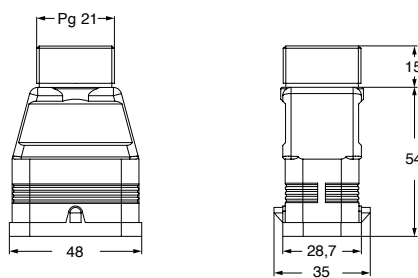
¹⁾ Pg male thread on enclosure exterior

²⁾ metric thread on the internal enclosure;
accessories to be ordered separately:
- **AL M25DN** insulating black sealing plug M25
- **AL M25IN** insulating black cable gland M25

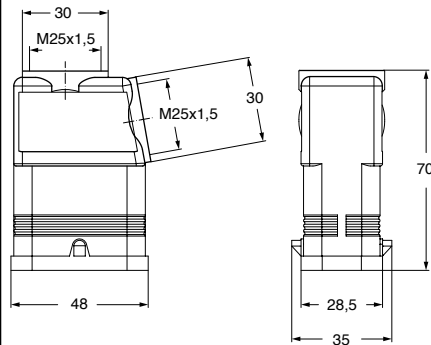
CQ VA



CQ V



MQ VO



CQ - MQ

CAUS® Type 4/4X/12
(pending for MQ 08 VO225)



CQ insulating version

inserts

| | | page: |
|---------|-----------------------|-------|
| CQ 04/2 | 4 poles + 2 poles + ⊕ | 191 |
| CQ 08 | 8 poles + ⊕ | 192 |
| CQ 17 | 17 poles + ⊕ | 193 |

hoods with single lever



covers with 2 pegs thermoplastic resin cable glands

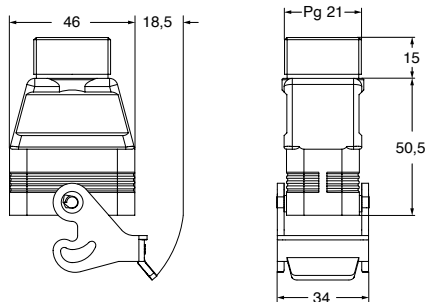


| description | part No. | entry Pg | part No. |
|--|-----------------|----------|-----------------|
| with lever, top entry ¹⁾ | CQ 08 VG | 21 | |
| cover with 2 pegs for female inserts | | | CQ 08 C |
| cover with 2 pegs for male inserts | | | CQ 08 CA |
| cable gland head and gasket for CQ 08 VA enclosure | | | CRQ 16 |
| cable gland head and gasket for CQ 08 V and VG enclosure | | | CRQ 21 |

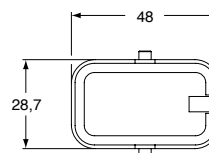
¹⁾ Pg male thread on enclosure exterior

cable diameters for cable glands:
 - **CRQ 16**: 10 - 14,5 mm
 - **CRQ 21**: 14 - 18 mm

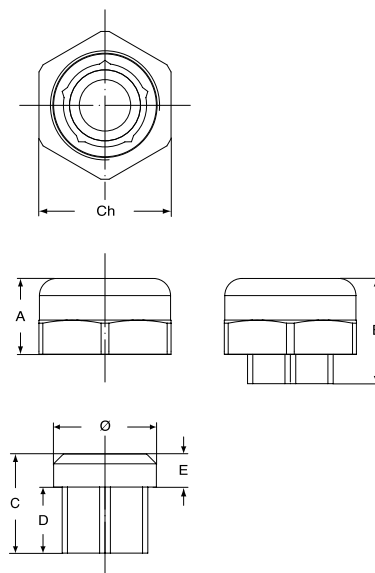
CQ VG



CQ C and CQ CA



CRQ 16 and CRQ 21



| part No. | A | B | C | D | E | Ø | Ch |
|---------------|------|------|-------|------|------|------|----|
| CRQ 16 | 15,5 | 21,5 | 20,25 | 13,5 | 6,75 | 21 | 27 |
| CRQ 21 | 18,2 | 27,5 | 25 | 15,5 | 9 | 26,5 | 33 |

CAUS® Type 4/4X/12

