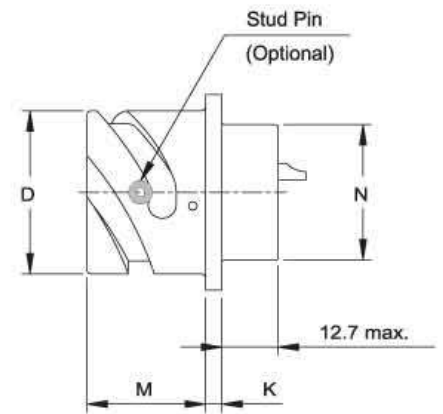
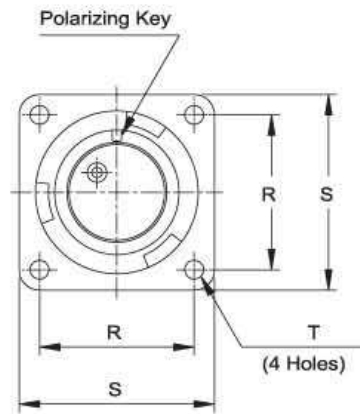


# VG 02A Box Mounting Receptacle



Part No.	D dia. +0.00 -0.15	K min./max.	M +0.79 -0.00	N dia. +0.00 -4.78	R ±0.12	S ±0.79	T dia. +0.25 -0.12
INB02A 10SL*	18.20	1.58 / 3.96	14.28	19.86	18.26	25.40	3.05
INB02A 14S*	24.60	1.58 / 3.96	14.28	23.01	23.01	30.18	3.05
INB02A 16S*	27.40	1.58 / 3.96	14.28	26.21	24.61	32.54	3.05
INB02A 16*	27.40	1.58 / 3.96	19.05	26.21	24.61	32.54	3.05
INB02A 18*	30.80	2.39 / 5.15	19.05	29.36	26.97	34.93	3.05
INB02A 20*	34.20	2.39 / 5.15	19.05	32.56	29.36	38.10	3.05
INB02A 22*	37.40	2.39 / 5.15	19.05	35.71	31.75	41.28	3.05
INB02A 24*	40.90	2.39 / 5.15	20.63	38.91	34.93	44.45	3.73
INB02A 28*	46.70	2.39 / 5.15	20.63	45.26	39.67	50.80	3.73
INB02A 32*	53.40	3.18 / 9.11	22.23	51.61	44.45	57.15	4.39
INB02A 36*	59.60	3.18 / 9.11	22.23	57.96	49.23	63.50	4.39