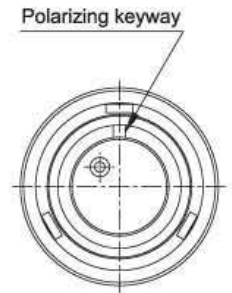
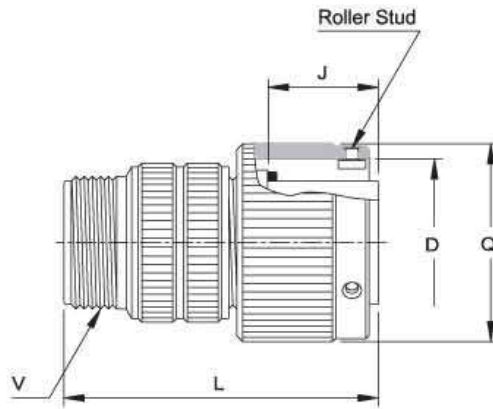


## VG 06A Straight Plug



Part No.	D dia. +0.2 -0.0	J ±0.12	L Ref.	Q dia. Ref.	V Thread Class 2A
INB06A 10SL-*	18.4	13.49	38.88	22.8	5/8-24 UNEF
INB06A 14S-*	24.8	13.49	42.87	29.2	3/4-20 UNEF
INB06A 16S-*	27.6	13.49	42.87	32.0	7/8-20 UNEF
INB06A 16-*	27.6	18.26	52.37	32.0	7/8-20 UNEF
INB06A 18-*	31.1	18.26	52.37	36.5	1-20 UNEF
INB06A 20-*	34.5	18.26	55.57	39.9	1 3/16-18 UNEF
INB06A 22-*	37.7	18.26	55.57	43.1	1 3/16-18 UNEF
INB06A 24-*	41.2	18.26	58.72	46.5	1 7/16-18 UNEF
INB06A 28-*	47.0	18.26	58.72	53.4	1 7/16-18 UNEF
INB06A 32-*	53.7	18.26	61.92	60.1	1 3/4-18 UNS
INB06A 36-*	59.9	18.26	61.92	66.3	2-18 UNS