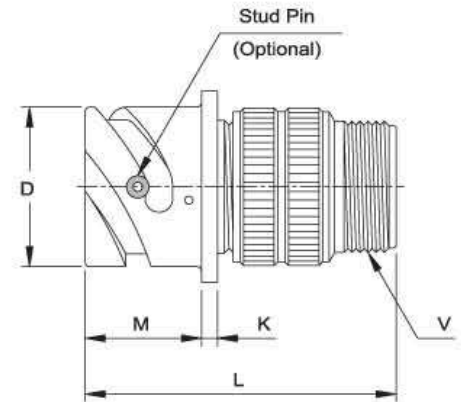
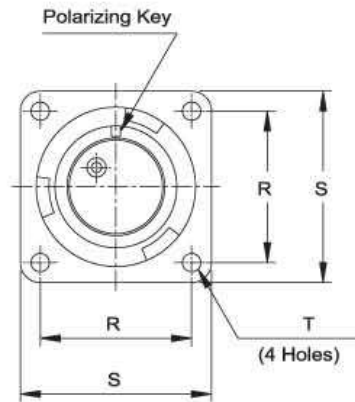


VG 00A Wall Mounting Receptacle



Part No.	D dia. +0.00 -0.15	K min./max.	L Ref.	M +0.79 -0.00	R ±0.12	S ±0.79	T dia. +0.25 -0.12	V Thread Class 2A
INB00A 10SL-*	18.20	1.58 / 3.96	38.88	14.28	18.26	25.40	3.05	5/8-24 UNEF
INB00A 14S-*	24.60	1.58 / 3.96	42.87	14.28	23.01	30.18	3.05	3/4-20 UNEF
INB00A 16S-*	27.40	1.58 / 3.96	42.87	14.28	24.61	32.54	3.05	7/8-20 UNEF
INB00A 16-*	27.40	1.58 / 3.96	52.37	19.05	24.61	32.54	3.05	7/8-20 UNEF
INB00A 18-*	30.80	2.39 / 5.15	52.37	19.05	26.97	34.93	3.05	1-20 UNEF
INB00A 20-*	34.20	2.39 / 5.15	55.57	19.05	29.36	38.10	3.05	1 3/16-18 UNEF
INB00A 22-*	37.40	2.39 / 5.15	55.57	19.05	31.75	41.28	3.05	1 3/16-18 UNEF
INB00A 24-*	40.90	2.39 / 5.15	58.72	20.63	34.93	44.45	3.73	1 7/16-18 UNEF
INB00A 28-*	46.70	2.39 / 5.15	58.72	20.63	39.67	50.80	3.73	1 7/16-18 UNEF
INB00A 32-*	53.40	3.18 / 9.11	61.92	22.23	44.45	57.15	4.39	1 3/4-18 UNS
INB00A 36-*	59.60	3.18 / 9.11	61.92	22.23	49.23	63.50	4.39	2-18 UNS