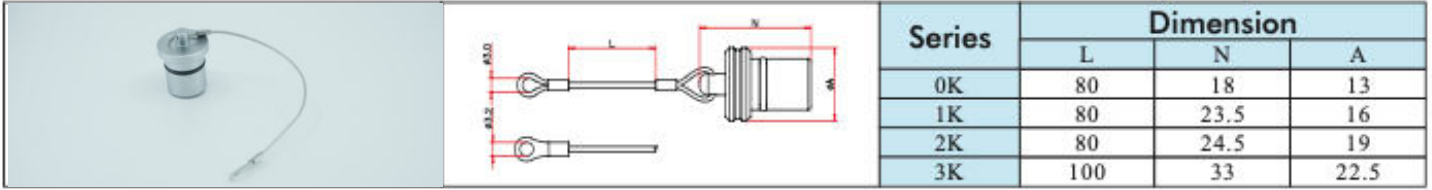
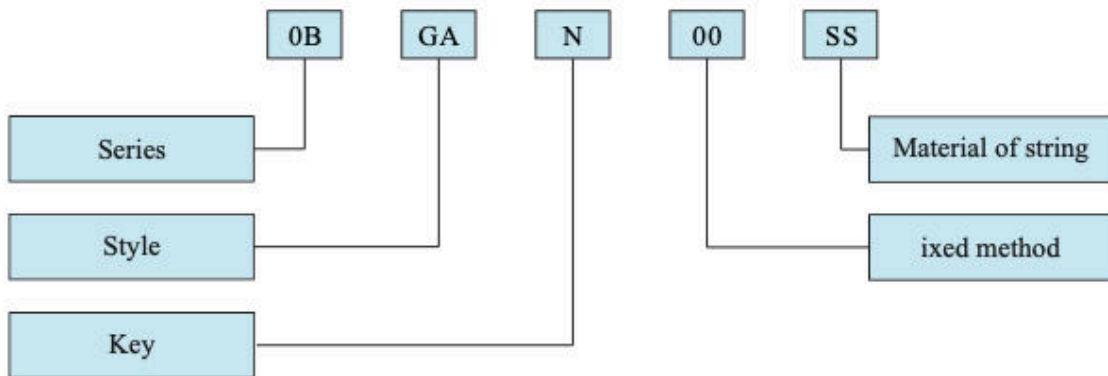


**GB receptacle dust cap** (assembled on the board of case, no key)



**Dust cap**

Numbering rules:



**For example:**

0BMAN01SS: 0B plug dust cap, single key, O-ring, the string is stainless ring.

**Fixed method:**

(00: Key ring 01: O-ring 02: solder cash 03:  $\Phi$ 3.0 O-ring)

**Material of string:**

(SS: stainless ring PA: Nylon ring)