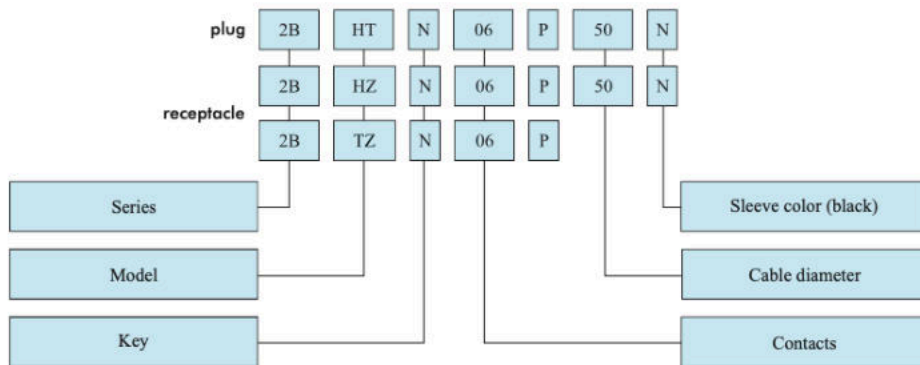


FZ receptacle

Sealed receptacle assembled outside, fixed inside with key to avoid rolling and mismatching.

Items	Dimension									
	Series	Style	A	B	e	E	L	M	S1	S2
	00B	FZ	11	10	M7*0.5	6.0	18.6	2.5	6.3	9
	0B	FZ	13	12.7	M9*0.5	5.5	20.2	3.0	8.2	11
	1B	FZ	18	15.8	M12*1.0	6.0	26.6	4.5	10.5	14
	2B	FZ	20	19.5	M15*1.0	8.0	24.8	4	13.5	17

Numbering rules:



For example:

Straight plug with sleeve

1BHTA0642N: 1B Series straight plug, 30 degree double keys fixing (A) , 6 pins, apply to cable diameter of 5.0mm, cable collet to fix cable with black sleeve.

Fixed receptacle

3BTZN21: 3B Series fixed receptacle, fixed inside of case with nut, single key fixing (N) , 21 pins.

Fixed plug

2BGTN08: 2B Series fixed plug, fixed inside of case with nut, single key fixing, 8 pins.

Fixed coupler plug

1BHZN0650N: 1B Series coupler plug, single key fixing, 6 pins, apply to cable diameter of 5.0mm, cable collet to fix cable with black sleeve.

B Series connector with the following main features:

1. Smart push-pull self-latching system;
2. Multicore types with 2 to 26 pins;
3. Solder or PCB contacts (straight or elbow);
4. High-density installation for space-saving;
5. Different kinds of keying options to avoid mismatching;
6. The right direction shielding effect, anti-electromagnetic interference.

Parts of connector:

1. Shell made of copper alloy, stainless steel is used in special occasions, plated with Nickel or Chrome;
2. Pin and jack made of copper alloy, plated with gold;
3. Insulator molded with engineering plastic which is high-temperature endurable and good insulating;
4. Sleeve molded with soft plastic to protect cables.