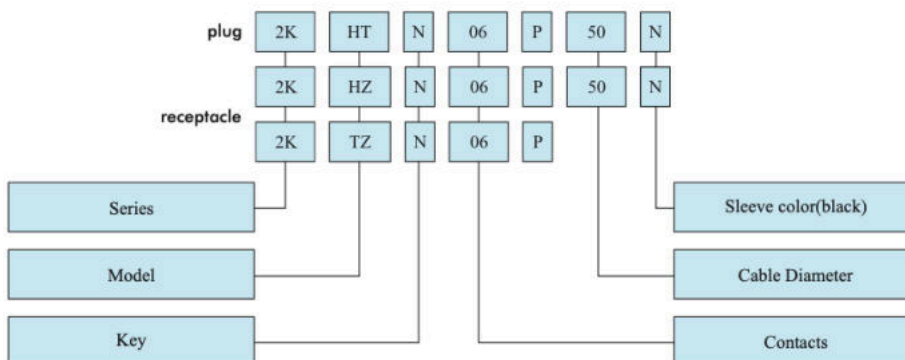


## PZ receptacle

Receptacle assembled inside, fixed outside, with key (N, A, B, W) to avoid rolling and mismatching.

Items	Dimension									
	Series	Style	A	B	e	E	L	M	N	S1
0K	PZ	18	18	M14*1.0	3.5	22	2.5	19	12.5	7
1K	PZ	20	20	M16*1.0	6.0	27.8	3	24	14.5	10
2K	PZ	25	25	M20*1.0	5.5	29	3.5	23.8	18.5	10
3K	PZ	30	31	M24*1.0	7.5	36.1	4.5	31.6	22.5	12

Numbering rules:



For example:

**Straight plug with sleeve**

1KHTA0650N: 1K Series straight plug, 30 degree double keys fixing (A), multi-contact of 6 pins, apply to cable diameter of 5.0mm, cable collet fix with black sleeve.

**Fixed receptacle**

2KTZN14: 2K Series fixed receptacle, fixed inside of case with nut, single key fixing (N), multi-contact of 14 pins.

**Fixed coupler plug**

2KHZN0650N: 2K Series coupler plug, single key fixing(N), multi-contact of 6 pins, apply to cable diameter of 5.0mm, cable collet fix with black sleeve.

## K Series connector with the following main features:

1. Smart push-pull self-latching system;
2. Multicore types with 2 to 26 pins;
3. Solder or PCB contacts (straight and elbow);
4. High packing density for space saving;
5. Different kinds of keying options to avoid mismatching;
6. 360 degree screening for full EMC shielding;
7. Waterproof connector (IP66 to 68);
8. Rugged housing for extreme working conditions.

## Parts of connector:

1. shell made of copper alloy, stainless steel is used in special occasions, plated with Nickel or Chrome;
2. pin and jack made of copper alloy, plated with gold;
3. insulator molded with engineering plastic which is high-temperature endurable and good insulating;
4. sleeve molded with soft plastic to protect cables;
5. waterproof gasket ring is made of high-temperature endurable silicone rubber.