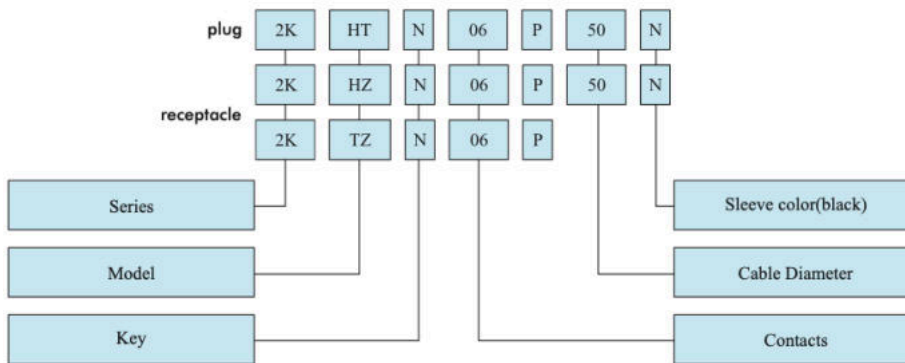


FZ receptacle

Fixed inside, with key (N, A, B, W) to avoid rolling and mismatching. Vacuum tight receptacle.

Items	Dimension										
	Series	Style	A	B	e	E	L	M	N	S1	S2
0K	FZ	18	19.7	M14*1	5	22.6	4	19.4	17.0	12.5	
1K	FZ	20	21.9	M16*1	8	29.2	4.5	24.5	19.0	14.5	
2K	FZ	25	27.7	M20*1	8	27.3	5	24.5	24	18.5	
3K	FZ	31	34	M24*1	14	41.7	6	34	22.5	30	

Numbering rules:



For example:

Straight plug with sleeve

1KHTA0650N: 1K Series straight plug, 30 degree double keys fixing (A), multi-contact of 6 pins, apply to cable diameter of 5.0mm, cable collet fix with black sleeve.

Fixed receptacle

2KTZN14: 2K Series fixed receptacle, fixed inside of case with nut, single key fixing (N), multi-contact of 14 pins.

Fixed coupler plug

2KHZN0650N: 2K Series coupler plug, single key fixing(N), multi-contact of 6 pins, apply to cable diameter of 5.0mm, cable collet fix with black sleeve.

K Series connector with the following main features:

1. Smart push-pull self-latching system;
2. Multicore types with 2 to 26 pins;
3. Solder or PCB contacts (straight and elbow);
4. High packing density for space saving;
5. Different kinds of keying options to avoid mismatching;
6. 360 degree screening for full EMC shielding;
7. Waterproof connector (IP66 to 68);
8. Rugged housing for extreme working conditions.

Parts of connector:

1. shell made of copper alloy, stainless steel is used in special occasions, plated with Nickel or Chrome;
2. pin and jack made of copper alloy, plated with gold;
3. insulator molded with engineering plastic which is high-temperature endurable and good insulating;
4. sleeve molded with soft plastic to protect cables;
5. waterproof gasket ring is made of high-temperature endurable silicone rubber.