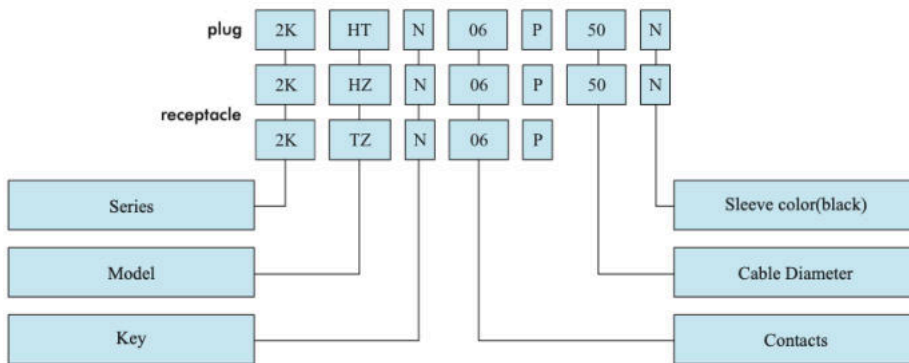


## TZ receptacle

Receptacle assembled outside, fixed inside, with key (N, A, B, W) to avoid rolling and mismatching.

Series	Style	Dimension								
		A	B	e	E	L	M	N	S2	S3
0K	TZ	18	19.7	M14*1.0	4.5	21.3	4	19	12.5	17
1K	TZ	20	22	M16*1.0	7.5	27.8	4.5	24	14.5	19
2K	TZ	25	28	M20*1.0	8.0	29	5	24	18.5	24
3K	TZ	31	34	M24*1.0	10	36.1	6	31.6	22.5	30

### Numbering rules:



### For example:

#### Straight plug with sleeve

1KHTA0650N: 1K Series straight plug, 30 degree double keys fixing (A), multi-contact of 6 pins, apply to cable diameter of 5.0mm, cable collet fix with black sleeve.

#### Fixed receptacle

2KTZN14: 2K Series fixed receptacle, fixed inside of case with nut, single key fixing (N), multi-contact of 14 pins.

#### Fixed coupler plug

2KHZN0650N: 2K Series coupler plug, single key fixing(N), multi-contact of 6 pins, apply to cable diameter of 5.0mm, cable collet fix with black sleeve.

## K Series connector with the following main features:

1. Smart push-pull self-latching system;
2. Multicore types with 2 to 26 pins;
3. Solder or PCB contacts (straight and elbow);
4. High packing density for space saving;
5. Different kinds of keying options to avoid mismatching;
6. 360 degree screening for full EMC shielding;
7. Waterproof connector (IP66 to 68);
8. Rugged housing for extreme working conditions.

### Parts of connector:

1. shell made of copper alloy, stainless steel is used in special occasions, plated with Nickel or Chrome;
2. pin and jack made of copper alloy, plated with gold;
3. insulator molded with engineering plastic which is high-temperature endurable and good insulating;
4. sleeve molded with soft plastic to protect cables;
5. waterproof gasket ring is made of high-temperature endurable silicone rubber.