
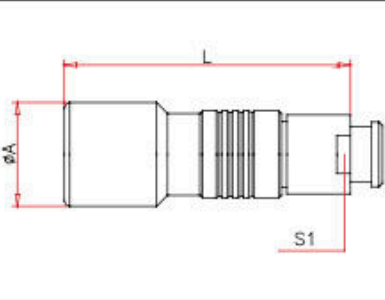
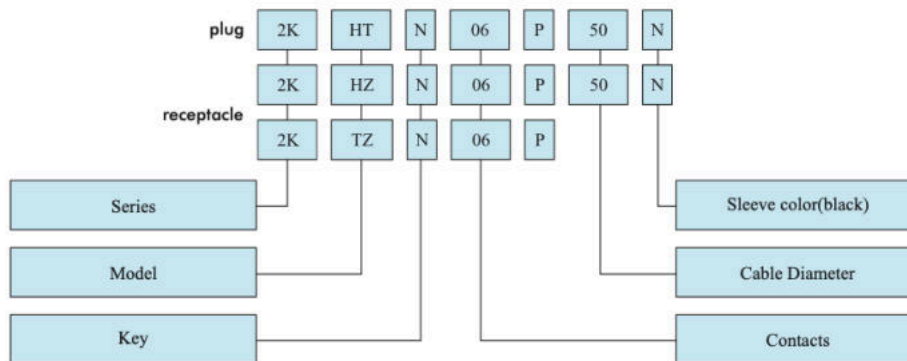


HZ receptacle

Coupler receptacle, used for connecting between cables, with key (N, A, B, W) to avoid rolling and mismatching. cable collet to fix cable, with sleeve to prevent cable from bending.

	Items	Dimension				
		Series	Style	L	A	S1
		0K	HZ	34	13.0	8.0
		1K	HZ	45	15	9.0
		2K	HZ	53	19	13
		3K	HZ	65	22.6	15

Numbering rules:



For example:

Straight plug with sleeve

1KHTA0650N: 1K Series straight plug, 30 degree double keys fixing (A), multi-contact of 6 pins, apply to cable diameter of 5.0mm, cable collet fix with black sleeve.

Fixed receptacle

2KTZN14: 2K Series fixed receptacle, fixed inside of case with nut, single key fixing (N), multi-contact of 14 pins.

Fixed coupler plug

2KHZN0650N: 2K Series coupler plug, single key fixing(N), multi-contact of 6 pins, apply to cable diameter of 5.0mm, cable collet fix with black sleeve.

K Series connector with the following main features:

1. Smart push-pull self-latching system;
2. Multicore types with 2 to 26 pins;
3. Solder or PCB contacts (straight and elbow);
4. High packing density for space saving;
5. Different kinds of keying options to avoid mismatching;
6. 360 degree screening for full EMC shielding;
7. Waterproof connector (IP66 to 68);
8. Rugged housing for extreme working conditions.

Parts of connector:

1. shell made of copper alloy, stainless steel is used in special occasions, plated with Nickel or Chrome;
2. pin and jack made of copper alloy, plated with gold;
3. insulator molded with engineering plastic which is high-temperature endurable and good insulating;
4. sleeve molded with soft plastic to protect cables;
5. waterproof gasket ring is made of high-temperature endurable silicone rubber.