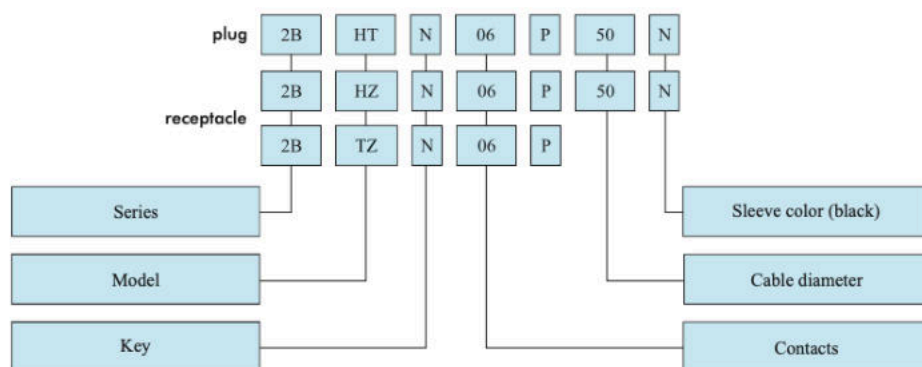


## BZ receptacle

Straight receptacle, screw fixed (00B fixed by solder tip) , PCB type,with key(N,A,B-W) to avoid rolling and mismatching.

Items	Dimension							
	Series	Style	A	B	C	D	N	
	0B	BZ	9	10	8	7.62	17	4.5
	1B	BZ	11	12	8	7.62	19	4.5
	2B	BZ	14	15	9	10.16	20	5.5

Numbering rules:



For example:

### Straight plug with sleeve

1BHZA0642N: 1B Series straight plug, 30 degree double keys fixing (A) , 6 pins, apply to cable diameter of 5.0mm, cable collet to fix cable with black sleeve.

### Fixed receptacle

3BTZN21: 3B Series fixed receptacle, fixed inside of case with nut, single key fixing (N) , 21 pins.

### Fixed plug

2BGTN08: 2B Series fixed plug, fixed inside of case with nut, single key fixing, 8 pins.

### Fixed coupler plug

1BHZN0650N: 1B Series coupler plug, single key fixing, 6 pins, apply to cable diameter of 5.0mm, cable collet to fix cable with black sleeve.

## B Series connector with the following main features:

1. Smart push-pull self-latching system;
2. Multicore types with 2 to 26 pins;
3. Solder or PCB contacts (straight or elbow);
4. High-density installation for space-saving;
5. Different kinds of keying options to avoid mismatching;
6. The right direction shielding effect, anti-electromagnetic interference.

## Parts of connector:

1. Shell made of copper alloy, stainless steel is used in special occasions, plated with Nickel or Chrome;
2. Pin and jack made of copper alloy, plated with gold;
3. Insulator molded with engineering plastic which is high-temperature endurable and good insulating;
4. Sleeve molded with soft plastic to protect cables.