
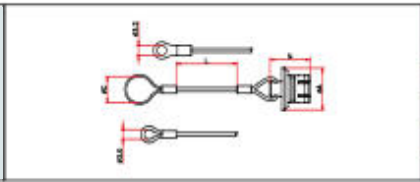
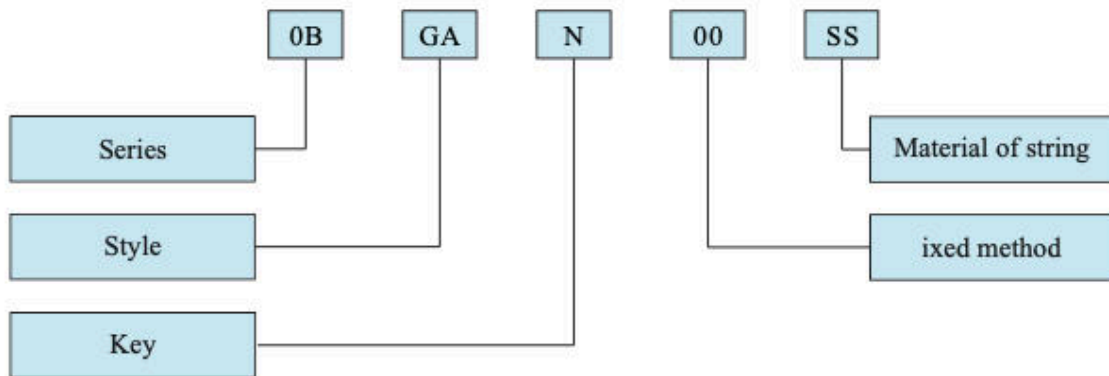


GA receptacle dust cap (assembled on receptacle or the board of case, no key)

		Series	Dimension			
			L	N	A	C
		0B-0S	80	17	10	9
		1B-1S	80	17	12	12
		2B-2S	80	14.5	18	15
3B-3S	100	18	22	18		

Dust cap

Numbering rules:



For example:

0BMAN01SS: 0B plug dust cap, single key, O-ring, the string is stainless ring.

Fixed method:

(00: Key ring 01: O-ring 02: solder cash 03: Φ 3.0 O-ring)

Material of string:

(SS: stainless ring PA: Nylon ring)