
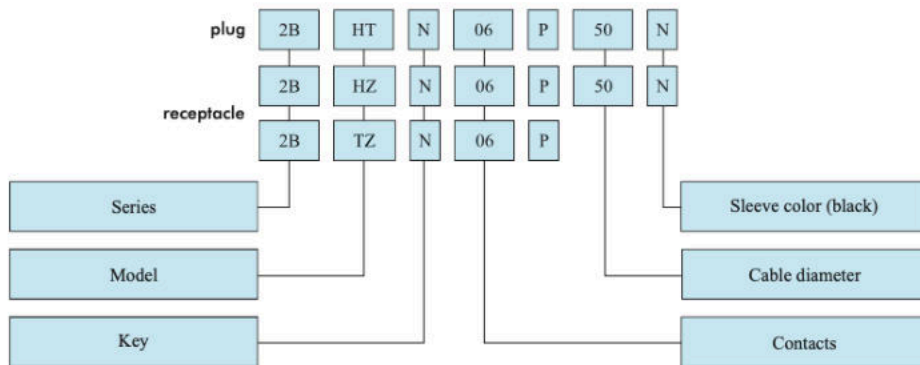


## PZ receptacle

General receptacle assembled inside, fixed outside, with key(N,A,B-W) to avoid rolling and mismatching.

	Items	Dimension									
		Series	Style	A	B	e	E	L	M	N	S1
	0B	PZ	10	12	M9*0.5	2.5	22	2.5	16.6	8.2	9
	1B	PZ	14	16	M12*1.0	5.0	24	3.2	18.7	10.5	12
	2B	PZ	18	20	M15*1.0	4.5	27.5	3.5	20	13.5	15
	3B	PZ	24	25	M18*1.0	9	31	4.5	25	16.5	18

### Numbering rules:



### For example:

#### Straight plug with sleeve

1BHZA0642N: 1B Series straight plug, 30 degree double keys fixing (A), 6 pins, apply to cable diameter of 5.0mm, cable collet to fix cable with black sleeve.

#### Fixed receptacle

3BTZN21: 3B Series fixed receptacle, fixed inside of case with nut, single key fixing (N), 21 pins.

#### Fixed plug

2BGTN08: 2B Series fixed plug, fixed inside of case with nut, single key fixing, 8 pins.

#### Fixed coupler plug

1BHZN0650N: 1B Series coupler plug, single key fixing, 6 pins, apply to cable diameter of 5.0mm, cable collet to fix cable with black sleeve.

## B Series connector with the following main features:

1. Smart push-pull self-latching system;
2. Multicore types with 2 to 26 pins;
3. Solder or PCB contacts (straight or elbow);
4. High-density installation for space-saving;
5. Different kinds of keying options to avoid mismatching;
6. The right direction shielding effect, anti-electromagnetic interference.

## Parts of connector:

1. Shell made of copper alloy, stainless steel is used in special occasions, plated with Nickel or Chrome;
2. Pin and jack made of copper alloy, plated with gold;
3. Insulator molded with engineering plastic which is high-temperature endurable and good insulating;
4. Sleeve molded with soft plastic to protect cables.