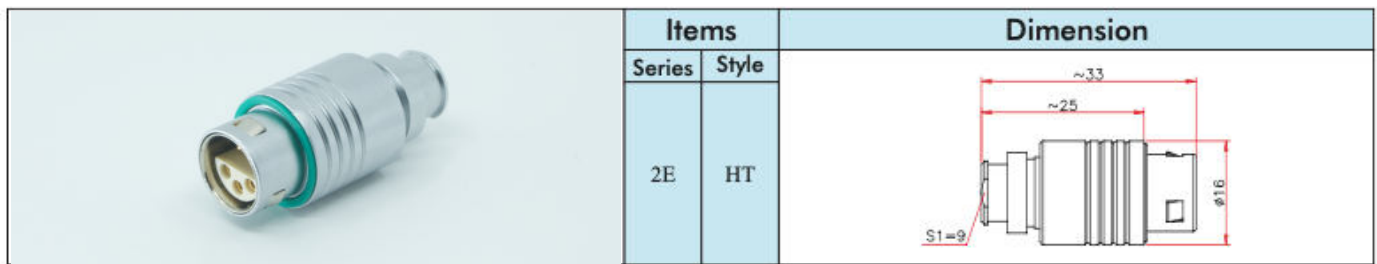
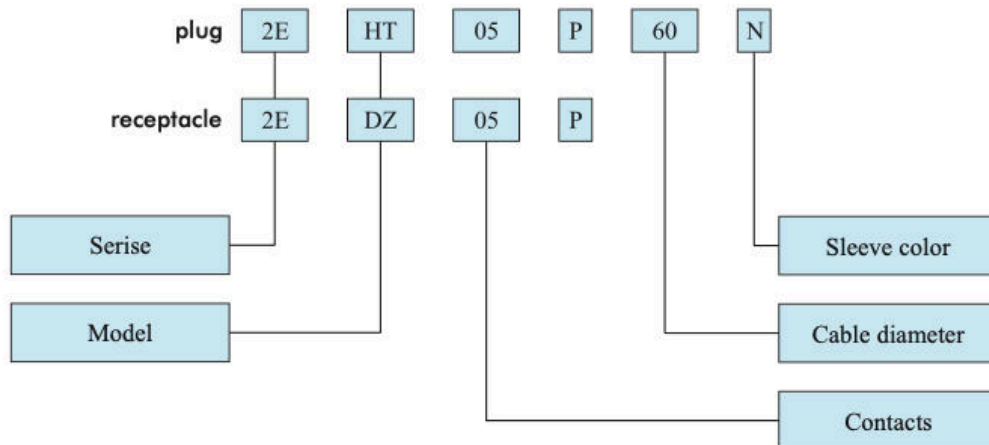


HT plug

Super-short plug, collet locked, High-low insulator positioning avoid mismatchin, vacuum sealed, over-mold for stern.



2E series part numbering rules:



2E series connector with the following main features:

1. Security of the push-pull self-latching system;
2. Multi-core type with 2 to 12 pins;
3. Short type connectors with high density installation for saving space;
4. 360 degree screening for full emc protection;
5. High-low insulator positioning avoid mismatching.

Parts of connector:

1. Shell made of copper alloy, stainless steel is used in special occasions, plated with nickel or chrome;
2. Pin and jack made of copper alloy, plated with gold;
3. Insulator molded with engineering plastic which is high-temperature durable and good insulating;
4. Sleeve molded with soft plastic to protect cables.
5. Waterproof gasket ring is made of high-temperature durable silicone rubber.