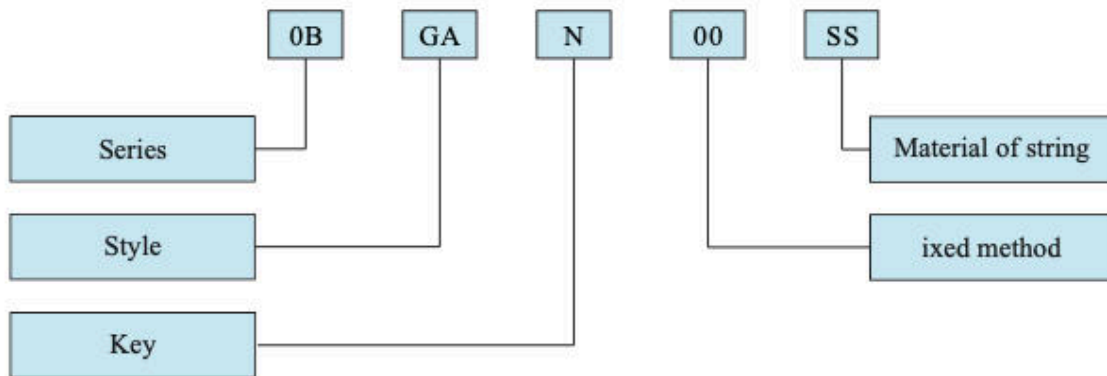


## MA plug dust cap (assembled on the plug with key)

Series	Dimension				
	L	N	A	C	
				B/C series	S series
0B-0C-0S	65	17	10	8	7
1B-1C-1S	75	17	12	10	9
2B-2C-2S	80	18	15	13	12
3B-3C	95	23	19	16	
0K	60	19	13	11	
1K	65	23.5	16	13	
2K	70	24	19	16	
3K	80	27	23	19	

### Dust cap

Numbering rules:



### For example:

0BMAN01SS: 0B plug dust cap, single key, O-ring, the string is stainless ring.

### Fixed method:

(00: Key ring 01: O-ring 02: solder cash 03:  $\Phi$ 3.0 O-ring)

### Material of string:

(SS: stainless ring PA: Nylon ring)