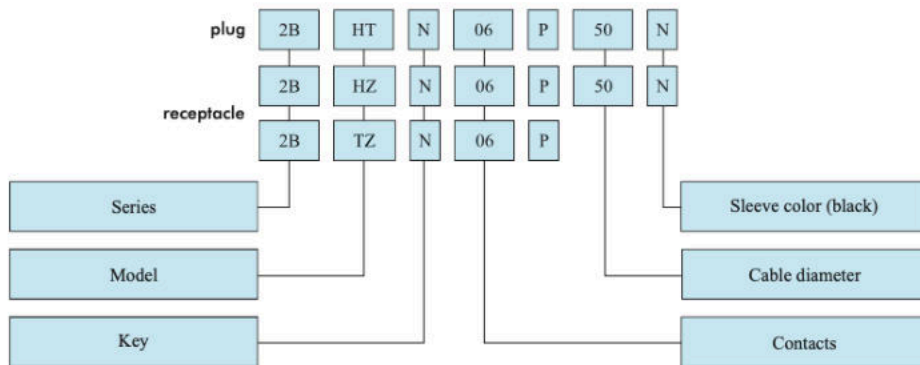


GT plug

Fixed inside of case, with key(N,A,B-W) to avoid moving and mismatching.

Items	Dimension										
	Series	Style	A	B	L	N	M	E	S1	S2	e
	0B	GT	10	12.4	20.8	18.4	11.2	3.5	11	8.2	M9*0.5
	1B	GT	14	15.8	25.2	22.6	12.5	6	14	10.5	M12*1.0
	2B	GT	18	19.2	24.7	22.5	13.8	5	17	13.5	M15*1.0
	3B	GT	21	25	32	29.1	17.0	7.5	22	16.5	M18*1.0

Numbering rules:



For example:

Straight plug with sleeve

1BHZA0642N: 1B Series straight plug, 30 degree double keys fixing (A) , 6 pins, apply to cable diameter of 5.0mm, cable collet to fix cable with black sleeve.

Fixed receptacle

3BTZN21: 3B Series fixed receptacle, fixed inside of case with nut, single key fixing (N) , 21 pins.

Fixed plug

2BGTN08: 2B Series fixed plug, fixed inside of case with nut, single key fixing, 8 pins.

Fixed coupler plug

1BHZN0650N: 1B Series coupler plug, single key fixing, 6 pins, apply to cable diameter of 5.0mm, cable collet to fix cable with black sleeve.

B Series connector with the following main features:

1. Smart push-pull self-latching system;
2. Multicore types with 2 to 26 pins;
3. Solder or PCB contacts (straight or elbow);
4. High-density installation for space-saving;
5. Different kinds of keying options to avoid mismatching;
6. The right direction shielding effect, anti-electromagnetic interference.

Parts of connector:

1. Shell made of copper alloy, stainless steel is used in special occasions, plated with Nickel or Chrome;
2. Pin and jack made of copper alloy, plated with gold;
3. Insulator molded with engineering plastic which is high-temperature endurable and good insulating;
4. Sleeve molded with soft plastic to protect cables.