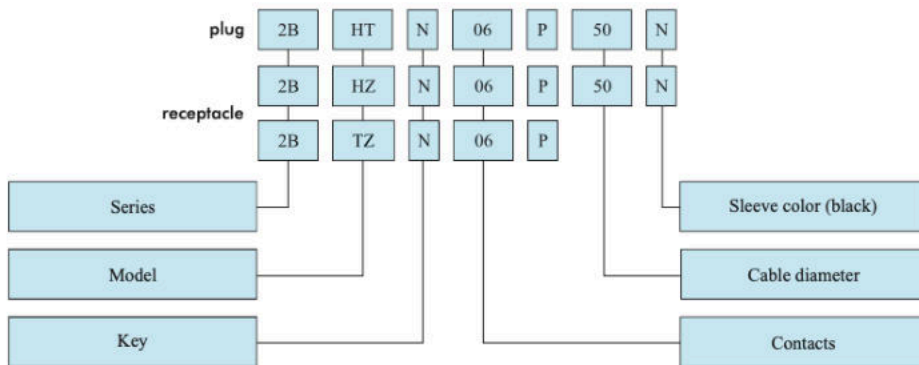


HT plug

General straight plug, with key(N,A,B-W) to avoid moving and mismatching, cable collet to fix cable, with sleeve to prevent cable from bending.

| Series | Style | Dimension | | | | |
|--------|-------|-----------|-----|----|-----|----|
| | | L | A | C | S1 | S2 |
| 00B | HT | 27 | 6.5 | 19 | 5.5 | 6 |
| 0B | HT | 35 | 9.5 | 25 | 8 | 8 |
| 1B | HT | 41 | 12 | 30 | 10 | 9 |
| 2B | HT | 48 | 15 | 36 | 13 | 13 |
| 3B | HT | 57 | 18 | 42 | 16 | 15 |

Numbering rules:



For example:

Straight plug with sleeve

1BHZA0642N: 1B Series straight plug, 30 degree double keys fixing (A), 6 pins, apply to cable diameter of 5.0mm, cable collet to fix cable with black sleeve.

Fixed receptacle

3BTZN21: 3B Series fixed receptacle, fixed inside of case with nut, single key fixing (N), 21 pins.

Fixed plug

2BGTN08: 2B Series fixed plug, fixed inside of case with nut, single key fixing, 8 pins.

Fixed coupler plug

1BHZN0650N: 1B Series coupler plug, single key fixing, 6 pins, apply to cable diameter of 5.0mm, cable collet to fix cable with black sleeve.

B Series connector with the following main features:

1. Smart push-pull self-latching system;
2. Multicore types with 2 to 26 pins;
3. Solder or PCB contacts (straight or elbow);
4. High-density installation for space-saving;
5. Different kinds of keying options to avoid mismatching;
6. The right direction shielding effect, anti-electromagnetic interference.

Parts of connector:

1. Shell made of copper alloy, stainless steel is used in special occasions, plated with Nickel or Chrome;
2. Pin and jack made of copper alloy, plated with gold;
3. Insulator molded with engineering plastic which is high-temperature endurable and good insulating;
4. Sleeve molded with soft plastic to protect cables.